

Storage vessel Nitrogen – Oxygen – Argon

Description

Storage vessel for liquid Nitrogen, Oxygen and Argon for stationary indoor operation. Vertical construction in corrosion resistant stainless steel with a metallic bright polishing.

- Welded construction in high corrosion resistant stainless steel
- High durability
- Low evaporation rate provided by high-vacuum multilayer insulation
- Long holding time of the insulation vacuum
- Possibility to evacuate the inner vessel
- The safety equipment of the vessel is located on top of the tank
- Special sizes on request
- One year guarantee on the holding time of the long-duration insulation vacuum
- The vessel is delivered with the original certification of the manufacturer made according to § 8 of the Ger-

man pressure-vessel regulation, test before commissioning according to § 9 (1), (2) 1 and 2

- For a vessel for transport on public roads see **Transport vessel**

Legend

1. Closing plug
2. Collar on CS 5 S and CS 10 S and handles on CS 25 S until CS 300 S
3. Vacuum sealing and safety valve
4. Castors
5. Neck connection (KF)

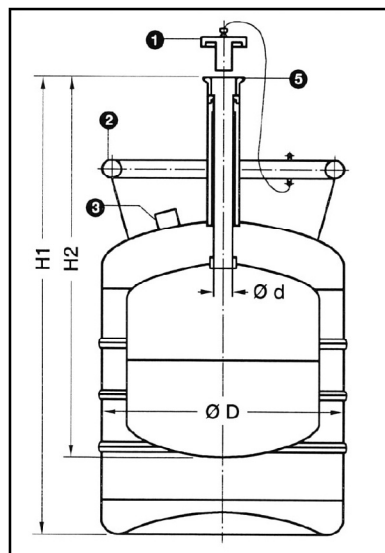


Fig.: Storage vessel 5 l to 25 l

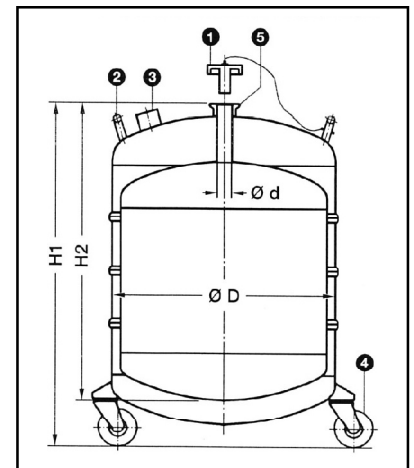


Fig.: Storage vessel 30 l to 300 l

Technical data and dimension table

	Order-No.:	CS 5 S	CS 10 S	CS 25 S	CS 30 S	CS 60 S	CS 120 S	CS 160 S	CS 200 S	CS 300 S
Capacity	l	5	10	25	30	60	120	160	200	300
Working overpressure	bar	1,0	1,0	1,0	1,0	1,0	1,0	1,0	1,0	0,66
Weight empty	ca. kg	10	16	25	29	35	57	85	105	140
Static evaporation rate										
without installed equipment	%/d	9	7	4	3,2	1,6	1,1	1,0	0,9	0,8
Neck connection	KF DN	25	25	50	50	50	50	50	50	50
Neck aperture diameter, d	mm	18	18	50	50	50	50	50	50	50
Total diameter, D	mm	250	300	450	450	450	550	600	700	700
Total height, H1	mm	475	531	592	591	846	1041	1105	1112	1434
Immersion depth until KF, H2	mm	400	454	490	462	717	872	945	883	1204